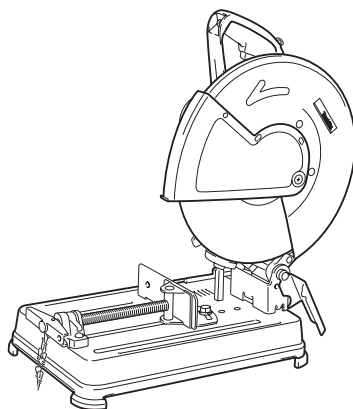


INSTRUCTION MANUAL  
MANUEL D'INSTRUCTION  
MANUAL DE INSTRUCCIONES



# Portable Cut-Off Tronçonneuse portative Tronzadora de Metal

## 2414DB



DOUBLE INSULATION  
DOUBLE ISOLATION  
DOBLE AISLAMIENTO

**IMPORTANT:** Read Before Using.

**IMPORTANT :** Lire avant usage.

**IMPORTANTE:** Lea antes de usar.

# SPECIFICATIONS

Model	2414DB
Wheel diameter	355 mm (14")
Hole diameter	25.4 mm (1")
No load speed (RPM)	3,800 /min.
Dimensions (L x W x H)	500 mm x 280 mm x 600 mm (19-3/4" x 11" x 23-5/8")
Net weight	16.4kg (36.2 lbs)
Safety class	Ⓜ/II

- Due to our continuing program of research and development, the specifications herein are subject to change without notice.
- Specifications may differ from country to country.

## For Your Own Safety Read Instruction Manual

### Before Operating Tool Save it for future reference

### GENERAL SAFETY PRECAUTIONS

#### (For All Tools)

1. **KNOW YOUR POWER TOOL.** Read the owner's manual carefully. Learn the tool's applications and limitations, as well as the specific potential hazards peculiar to it.
2. **KEEP GUARDS IN PLACE** and in working order.
3. **REMOVE ADJUSTING KEYS AND WRENCHES.** Form habit of checking to see that keys and adjusting wrenches are removed from tool before turning it on.
4. **KEEP WORK AREA CLEAN.** Cluttered areas and benches invite accidents.
5. **DO NOT USE IN DANGEROUS ENVIRONMENT.** Do not use power tools in damp or wet locations, or expose them to rain. Keep work area well lighted. Do not use tool in presence of flammable liquids or gases.
6. **KEEP CHILDREN AWAY.** All visitors should be kept safe distance from work area.
7. **MAKE WORKSHOP KID PROOF** with padlocks, master switches, or by removing starter keys.
8. **DO NOT FORCE TOOL.** It will do the job better and safer at the rate for which it was designed.
9. **USE RIGHT TOOL.** Do not force tool or attachment to do a job for which it was not designed.
10. **WEAR PROPER APPAREL.** Do not wear loose clothing, gloves, neckties, rings, bracelets, or other jewelry which may get caught in moving parts. Non-slip footwear is recommended. Wear protective hair covering to contain long hair.
11. **ALWAYS USE SAFETY GLASSES.** Also use face or dust mask if cutting operation is dusty. Everyday eyeglasses only have impact resistant lenses, they are NOT safety glasses.
12. **SECURE WORK.** Use clamps or a vise to hold work when practical. It's safer than using your hand and it frees both hands to operate tool.
13. **DO NOT OVERREACH.** Keep proper footing and balance at all times.
14. **MAINTAIN TOOLS WITH CARE.** Keep tools sharp and clean for best and safest performance. Follow instructions for lubricating and changing accessories.
15. **DISCONNECT TOOLS** before servicing; when changing accessories such as blades, bits, cutters, and the like.
16. **REDUCE THE RISK OF UNINTENTIONAL STARTING.** Make sure switch is in off position before plugging in.
17. **USE RECOMMENDED ACCESSORIES.** Consult the owner's manual for recommended accessories. The use of improper accessories may cause risk of injury to persons.
18. **NEVER STAND ON TOOL.** Serious injury could occur if the tool is tipped or if the cutting tool is unintentionally contacted.
19. **CHECK DAMAGED PARTS.** Before further use of the tool, a guard or other part that is damaged should be carefully checked to determine that it will operate properly and perform its intended function - check for alignment of moving parts, binding of moving parts, breakage of parts, mounting, and any other conditions that may affect its operation. A guard or other part that is damaged should be properly repaired or replaced.
20. **DIRECTION OF FEED.** Feed work into a blade or cutter against the direction of rotation of the blade or cutter only.
21. **NEVER LEAVE TOOL RUNNING UNATTENDED.** TURN POWER OFF. Do not leave tool until it comes to a complete stop.
22. **REPLACEMENT PARTS.** When servicing, use only identical replacement parts.
23. **POLARIZED PLUGS.** To reduce the risk of electric shock, this appliance has a polarized plug (one blade is wider than the other). This plug will fit in a polarized outlet only one way. If the plug does not fit fully in the outlet, reverse the

plug. If it still does not fit, contact a qualified electrician to install the proper outlet. Do not change the plug in any way.

**VOLTAGE WARNING:** Before connecting the tool to a power source (receptacle, outlet, etc.) be sure the voltage supplied is the same as that specified on the nameplate of the tool. A power source with voltage greater than that specified for the tool can result in **SERIOUS INJURY** to the user- as well as damage to the appliance. If in doubt, **DO NOT PLUG IN THE APPLIANCE**. Using a power source with voltage less than the nameplate rating is harmful to the motor.

**USE PROPER EXTENSION CORD.** Make sure your extension cord is in good condition. When using an extension cord, be sure to use one heavy enough to carry the current your product will draw. An undersized cord will cause a drop in line voltage resulting in loss of power and overheating. Table 1 shows the correct size to use depending on cord length and nameplate ampere rating. If in doubt, use the next heavier gage. The smaller the gage number, the heavier the cord.

Table 1: Minimum gage for cord

Ampere Rating		Volts	Total length of cord in feet			
		120V	25 ft.	50 ft.	100 ft.	150 ft.
More Than	Not More Than	AWG				
0	6	18	16	16	14	
6	10	18	16	14	12	
10	12	16	16	14	12	
12	16	14	12	Not Recommended		

## SPECIFIC SAFETY RULES

**DO NOT** let comfort or familiarity with product (gained from repeated use) replace strict adherence to portable cut-off safety rules. If you use this tool unsafely or incorrectly, you can suffer serious personal injury.

1. Wear hearing protection during extended period of operation.
2. Use only wheels having a maximum operating speed at least as high as "No Load RPM" marked on the tool's nameplate. Use only fiberglass-reinforced cut-off wheels.
3. Check the wheel carefully for cracks or damage before operation. Replace cracked or damaged wheel immediately. Run the tool (with guard) at no load for about a minute, holding tool away from others. If wheel is flawed, it will likely separate during this test.
4. Secure the wheel carefully.
5. Use only flanges specified for this tool.
6. Be careful not to damage the spindle, flanges (especially the installing surface) or bolt. Damage to these parts could result in wheel breakage.
7. Do not operate the tool without guards in place. Check wheel guard for proper closing before each use. Do not operate the tool if wheel guard does not move freely and close instantly. Never clamp or tie the wheel guard into the open position.
8. Hold the handle firmly.
9. Keep hands away from rotating parts.
10. Make sure the wheel is not contacting the workpiece before the switch is turned on.
11. Before using the tool on an actual workpiece, let it run for a while. Watch for vibration or wobbling that could indicate poor installation or a poorly balanced wheel.

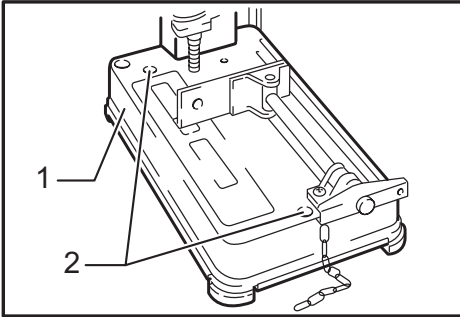
12. Watch out for flying sparks when operating. They can cause injury or ignite combustible materials.
13. Remove material or debris from the area that might be ignited by sparks. Be sure that others are not in the path of the sparks. Keep a proper, charged fire extinguisher closely available.
14. Use the cutting edge of the wheel only. Never use side surface.
15. Do not attempt to keep the trigger in the ON position.
16. If the wheel stops during operation, makes an odd noise or begins to vibrate, switch off the tool immediately.
17. Turn off the tool and wait for the wheel to stop before moving workpiece or changing settings.
18. Do not touch the workpiece immediately after operation; it is extremely hot and could burn your skin.
19. Store wheels in a dry location only.

## SAVE THESE INSTRUCTIONS.

**⚠ WARNING:** MISUSE or failure to follow the safety rules stated in this instruction manual may cause serious personal injury.

# INSTALLATION

## Securing cut-off



► 1. Base 2. Bolt holes

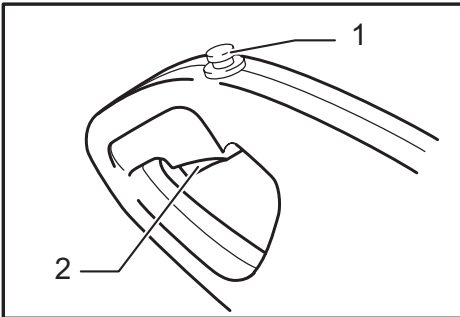
This tool should be bolted with two bolts to a level and stable surface using the bolt holes provided in the tool's base. This will help prevent tipping and possible personal injury.

## FUNCTIONAL DESCRIPTION

### ⚠ CAUTION:

- Always be sure that the tool is switched off and unplugged before adjusting or checking function on the tool.

## Switch action



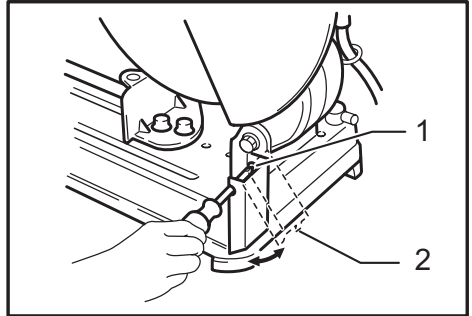
► 1. Lock-off button 2. Switch trigger

### ⚠ CAUTION:

- Before plugging in the tool, always check to see that the switch trigger actuates properly and returns to the "OFF" position when released.

To prevent the switch trigger from being accidentally pulled, a lock-off button is provided. To start the tool, depress the lock-off button and pull the switch trigger. Release the switch trigger to stop.

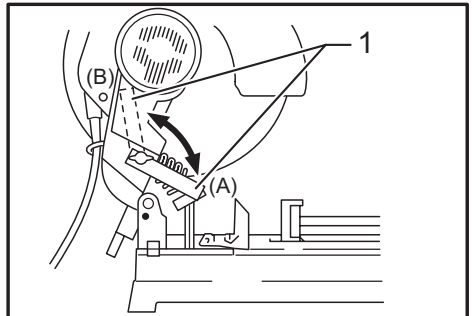
## Spark guard



► 1. Screw 2. Spark guard

The spark guard is factory-installed with its lower edge contacting the base. Operating the tool in this position will cause many sparks to fly around. Loosen the screw and adjust the spark guard to a position at which minimum sparks will fly around.

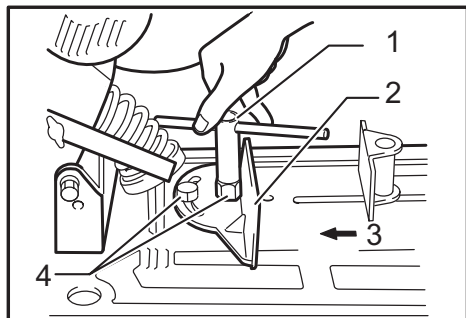
## Stopper plate



► 1. Stopper plate

The stopper plate prevents the cut-off wheel from contacting the workbench or floor. When a new wheel is installed, set the stopper plate to position (A). When the wheel wears down to the extent that the lower portion of the workpiece is left uncut, set the stopper plate to position (B) to allow increased cutting capacity with a worn down wheel.

## Interval between vise and guide plate



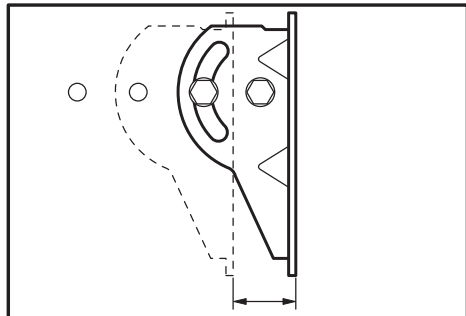
- 1. Socket wrench 2. Guide plate 3. Move 4. Hex bolts

The original spacing or interval between the vise and the guide plate is 0 - 170 mm (0 - 6-11/16"). If your work requires wider spacing or interval, proceed as follows to change the spacing or interval.

Remove the two hex bolts which secure the guide plate. Move the guide plate as shown in the figure and secure it using the hex bolts. The following interval settings are possible:

35 - 205 mm (1-3/8" - 8-1/16")

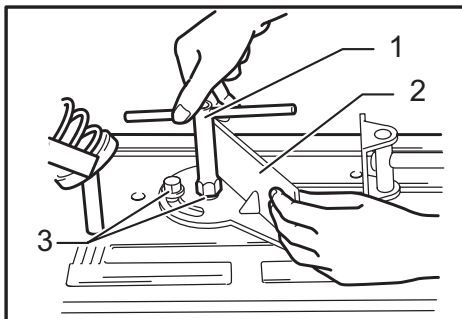
70 - 240 mm (2-3/4" - 9-7/16")



### ⚠ CAUTION:

- Remember that narrow workpieces may not be secured safely when using the two, wider interval settings.

## Setting for desired cutting angle



- 1. Socket wrench 2. Guide plate 3. Hex bolts

To change the cutting angle, loosen the two hex bolts which secure the guide plate. Move the guide plate to the desired angle (0° - 45°) and tighten the hex bolts securely.

**⚠ CAUTION:** Never perform miter cuts when the guide plate is set at the 35 - 205 mm (1-3/8" - 8-1/16") or 70 - 240 mm (2-3/4" - 9-7/16") position.

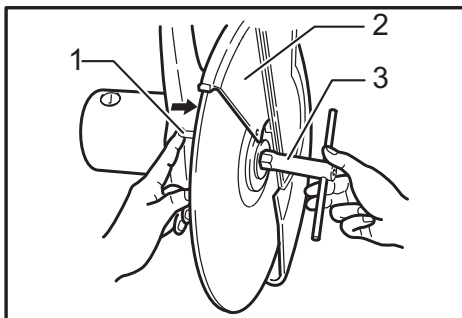
**⚠ CAUTION:** Do not operate the tool when the material is not firmly secured with the vise because of the cutting angle.

## ASSEMBLY

### ⚠ CAUTION:

- Always be sure that the tool is switched off and unplugged before carrying out any work on the tool.

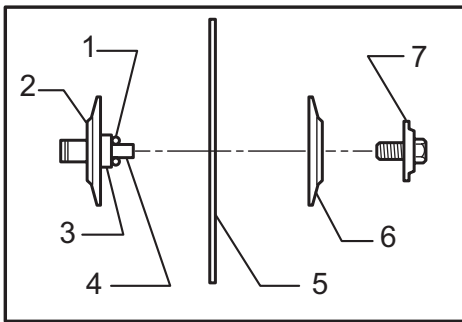
## Removing or installing cut-off wheel



- 1. Shaft lock 2. Safety guard 3. Socket wrench

To remove the wheel, raise the safety guard. Press the shaft lock so that the wheel cannot revolve and use the socket wrench to loosen the hex bolt by turning it counterclockwise. Then remove the hex bolt, outer flange and wheel. (Note: Do not remove the inner flange, ring and O-ring.)

To install the wheel, follow the removal procedures in reverse.

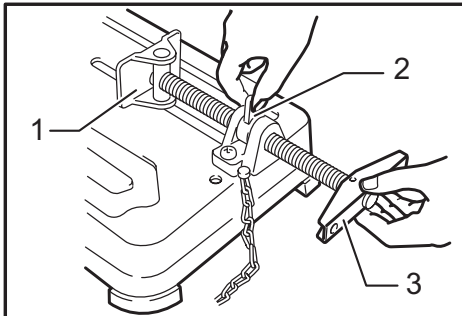


► 1. O-ring 2. Inner flange 3. Ring 4. Spindle 5. Cut-off wheel 6. Outer flange 7. Hex bolt

**CAUTION:**

- Be sure to tighten the hex bolt securely. Insufficient tightening of the hex bolt may result in severe injury. Use the socket wrench provided to help assure proper tightening.
- Always use only the proper inner and outer flanges which are provided with this tool.
- Always lower the safety guard after replacing the wheel.

**Securing workpiece**



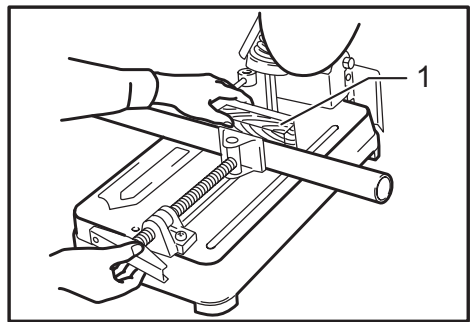
► 1. Vise plate 2. Vise nut 3. Vise handle

By turning the vise handle counterclockwise and then flipping the vise nut to the left, the vise is released from the shaft threads and can be moved rapidly in and out. To grip workpieces, push the vise handle until the vise plate contacts the workpiece. Flip the vise nut to the right and then turn the vise handle clockwise to securely retain the workpiece.

**CAUTION:**

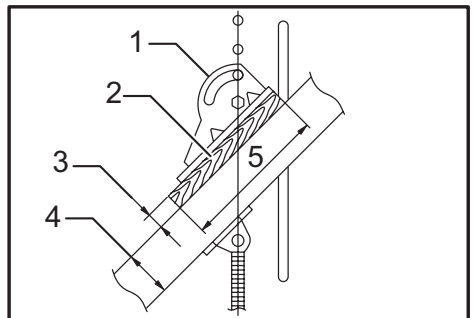
- Always set the vise nut to the right fully when securing the workpiece. Failure to do so may result in insufficient securing of the workpiece. This could cause the workpiece to be ejected or cause a dangerous breakage of the wheel.

When the cut-off wheel has worn down considerably, use a spacer block of sturdy, non-flammable material behind the workpiece as shown in the figure. You can more efficiently utilize the worn wheel by using the mid point on the periphery of the wheel to cut the workpiece.



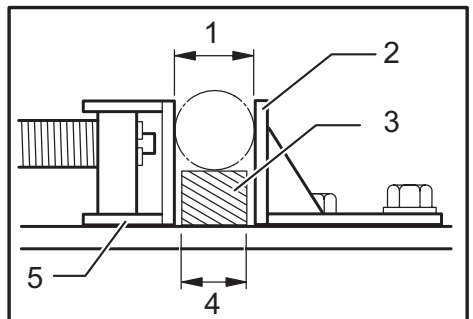
► 1. Spacer block

When cutting workpieces over 65 mm (2-9/16") wide at an angle, attach a straight piece of wood (spacer) over 190 mm (7-1/2") long x 45 mm (1-3/4") wide to the guide plate as shown in the figure. Attach this spacer with screws through the holes in the guide plate.



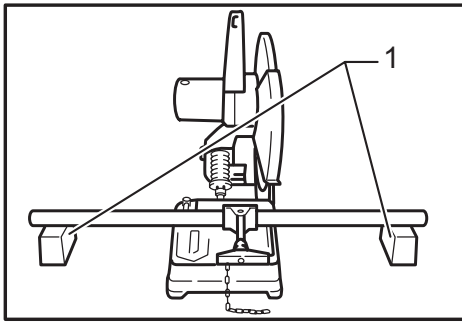
► 1. Guide plate 2. Straight piece of wood (Spacer) 3. Over 45 mm (1-3/4") long 4. Over 65 mm (2-9/16") long 5. Over 190 mm (7-1/2") long

If you use a spacer block which is slightly narrower than the workpiece as shown in the figure, you can also utilize the wheel economically.



► 1. Diameter of workpiece 2. Guide plate 3. Spacer block 4. Width of spacer block 5. Vise

Long workpieces must be supported by blocks of non-flammable material on either side so that it will be level with the base top.



► 1. Blocks

## OPERATION

Hold the handle firmly. Switch on the tool and wait until the wheel attains full speed before lowering gently into the cut. When the wheel contacts the workpiece, gradually bear down on the handle to perform the cut. When the cut is completed, switch off the tool and **WAIT UNTIL THE WHEEL HAS COME TO A COMPLETE STOP** before returning the handle to the fully elevated position.

### ⚠ CAUTION:

- Proper handle pressure during cutting and maximum cutting efficiency can be determined by the amount of sparks that is produced while cutting. Your pressure on the handle should be adjusted to produce the maximum amount of sparks. Do not force the cut by applying excessive pressure on the handle. Reduced cutting efficiency, premature wheel wear, as well as, possible damage to the tool, cut-off wheel or workpiece may result.

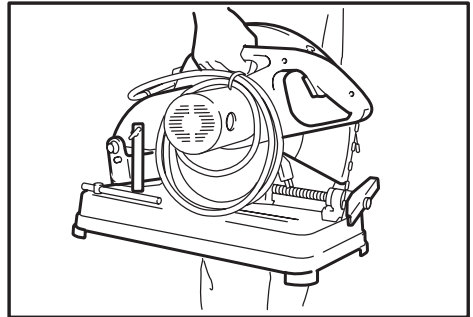
### Cutting capacity

Max. cutting capacity varies depending upon the cutting angle and workpiece shape. Applicable wheel diameter: 355 mm (14")

Workpiece shape / Cutting angle	Diagram 1 (Circular)	Diagram 2 (Square)
90°	115 mm (4-1/2")	119 mm (4-11/16")
45°	115 mm (4-1/2")	106 mm (4-3/16")

Workpiece shape / Cutting angle	Diagram 1 (Rectangular)	Diagram 2 (U-shaped)
90°	115 mm x 130 mm (4-1/2" x 5-5/8") 102 mm x 194 mm (4" x 7-5/8") 70 mm x 233 mm (2-3/4" x 9-1/8")	137 mm (5-3/8")
45°	115 mm x 103 mm (4-1/2" x 4-1/16")	100 mm (3-15/16")

## Carrying tool



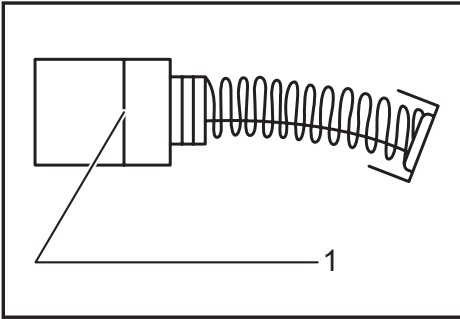
Fold down the tool head to the position where you can attach the chain to the hook on the handle.

## MAINTENANCE

### ⚠ CAUTION:

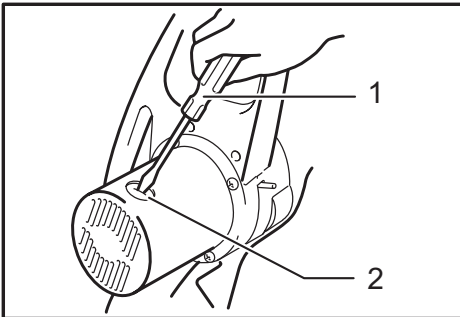
- Always be sure that the tool is switched off and unplugged before attempting to perform inspection or maintenance.

## Replacing carbon brushes



► 1. Limit mark

Remove and check the carbon brushes regularly. Replace when they wear down to the limit mark. Keep the carbon brushes clean and free to slip in the holders. Both carbon brushes should be replaced at the same time. Use only identical carbon brushes. Use a screwdriver to remove the brush holder caps. Take out the worn carbon brushes, insert the new ones and secure the brush holder caps.



► 1. Screwdriver 2. Brush holder cap

To maintain product SAFETY and RELIABILITY, repairs, any other maintenance or adjustment should be performed by Makita Authorized or Factory Service Centers, always using Makita replacement parts.

## OPTIONAL ACCESSORIES

### ▲ CAUTION:

- These accessories or attachments are recommended for use with your Makita tool specified in this manual. The use of any other accessories or attachments might present a risk of injury to persons. Only use accessory or attachment for its stated purpose.

If you need any assistance for more details regarding these accessories, ask your local Makita Service Center.

- Abrasive cut-off wheels
- Socket wrench 17

**NOTE:** Some items in the list may be included in the tool package as standard accessories. They may differ from country to country.

## MAKITA LIMITED ONE YEAR WARRANTY

### Warranty Policy

Every Makita tool is thoroughly inspected and tested before leaving the factory. It is warranted to be free of defects from workmanship and materials for the period of ONE YEAR from the date of original purchase. Should any trouble develop during this one year period, return the COMPLETE tool, freight prepaid, to one of Makita's Factory or Authorized Service Centers. If inspection shows the trouble is caused by defective workmanship or material, Makita will repair (or at our option, replace) without charge.

This Warranty does not apply where:

- repairs have been made or attempted by others;
- repairs are required because of normal wear and tear;
- the tool has been abused, misused or improperly maintained;
- alterations have been made to the tool.

IN NO EVENT SHALL MAKITA BE LIABLE FOR ANY INDIRECT, INCIDENTAL OR CONSEQUENTIAL DAMAGES FROM THE SALE OR USE OF THE PRODUCT. THIS DISCLAIMER APPLIES BOTH DURING AND AFTER THE TERM OF THIS WARRANTY.

MAKITA DISCLAIMS LIABILITY FOR ANY IMPLIED WARRANTIES, INCLUDING IMPLIED WARRANTIES OF "MERCHANTABILITY" AND "FITNESS FOR A SPECIFIC PURPOSE," AFTER THE ONE YEAR TERM OF THIS WARRANTY.

This Warranty gives you specific legal rights, and you may also have other rights which vary from state to state. Some states do not allow the exclusion or limitation of incidental or consequential damages, so the above limitation or exclusion may not apply to you. Some states do not allow limitation on how long an implied warranty lasts, so the above limitation may not apply to you.



## SPÉCIFICATIONS

Modèle	2414DB
Diamètre de la meule	355 mm (14")
Diamètre de l'orifice	25.4 mm (1")
Vitesse à vide (T/MIN)	3,800 /min.
Dimensions (L x L x H)	500 mm x 280 mm x 600 mm (19-3/4" x 11"x 23-5/8")
Poids net	16.4kg (36.2 lbs)
Niveau de sécurité	⊠/

- Étant donné l'évolution constante de notre programme de recherche et de développement, les spécifications contenues dans ce manuel sont sujettes à modification sans préavis.
- Les spécifications peuvent varier suivant les pays.

### Pour votre propre sécurité, veuillez lire le manuel d'instructions

## Avant d'utiliser l'outil

### Conservez-le pour référence ultérieure

## PRÉCAUTIONS GÉNÉRALES (POUR TOUS LES OUTILS)

1. **VOUS DEVEZ CONNAÎTRE VOTRE OUTIL ÉLECTRIQUE.** Lisez attentivement le manuel d'instructions. Familiarisez-vous avec les applications et limites de l'outil, ainsi qu'avec les risques potentiels qui lui sont spécifiques.
2. **MAINTENEZ LES PROTECTEURS EN PLACE** et en bon état de fonctionnement.
3. **RETIREZ LES CLÉS DE RÉGLAGE ET DE SERRAGE.** Prenez l'habitude de vous assurer que les clés de réglage et de serrage ont été retirées de l'outil avant de le mettre sous tension.
4. **MAINTENEZ LA ZONE DE TRAVAIL PROPRE.** Les zones de travail et les établis encombrés ouvrent grande la porte aux accidents.
5. **ÉVITEZ L'UTILISATION DANS UN ENVIRONNEMENT DANGEREUX.** N'utilisez pas les outils électriques dans les endroits humides ou mouillés, et ne les exposez pas à la pluie. Maintenez un éclairage adéquat dans la zone de travail. Ne vous servez pas de votre outil en présence de liquides ou gaz inflammables.
6. **MAINTENEZ LES ENFANTS À L'ÉCART.** Toute autre personne que l'utilisateur de l'outil doit se tenir à une distance sûre de l'aire de travail.
7. **FAITES EN SORTE QUE L'ATELIER SOIT SANS DANGER POUR LES ENFANTS,** en y posant des cadenas, un interrupteur principal, ou en retirant des équipements leurs clés de démarrage.
8. **NE FORCEZ PAS L'OUTIL.** Il effectuera un travail de meilleure qualité et plus sécuritaire s'il est utilisé au régime pour lequel il a été conçu.
9. **UTILISEZ LE BON OUTIL.** Ne forcez pas un outil ou accessoire à effectuer un travail pour lequel il n'a pas été conçu.
10. **PORTEZ DES VÊTEMENTS ADÉQUATS.** Ne portez ni vêtements ni gants amples, ni cravate, anneaux/bagues, bracelets ou autres bijoux susceptibles d'être happés par les pièces mobiles de l'outil. Le port de chaussures antidérapantes est recommandé. Portez un filet de protection pour envelopper les cheveux longs.
11. **PORTEZ TOUJOURS DES LUNETTES DE SÉCURITÉ.** Si le travail de coupe dégage de la poussière, portez également un écran facial ou un masque antipoussières. Les lunettes ordinaires ne sont munies que de lentilles résistantes aux chocs ; elles ne constituent PAS des lunettes de sécurité.
12. **FIXEZ BIEN LA PIÈCE.** Lorsque cela est possible, fixez la pièce à travailler à l'aide de dispositifs de serrage ou d'un étau. Cela est plus sécuritaire que l'utilisation de la main et libère les deux mains pour le maniement de l'outil.
13. **MAINTENEZ UNE BONNE POSITION.** Assurez-vous d'une bonne prise au sol et d'une bonne position d'équilibre en tout temps.
14. **PRENEZ SOIN DES OUTILS.** Maintenez les outils bien aiguisés et propres pour assurer une performance sécuritaire et optimale. Suivez les instructions de lubrification et de changement des accessoires.
15. **DÉBRANCHEZ LES OUTILS** avant tout travail de réparation ou avant de changer les accessoires tels que lames, embouts/forets/fraises et couteaux.
16. **RÉDUISEZ LES RISQUES DE MISE EN MARCHÉ ACCIDENTELLE.** Assurez-vous que l'interrupteur est en position d'arrêt avant de brancher l'outil.
17. **UTILISEZ LES ACCESSOIRES RECOMMANDÉS.** Consultez le manuel de l'utilisateur pour savoir quels sont les accessoires recommandés. L'utilisation d'accessoires non adéquats peut comporter un risque de blessure.

18. **NE VOUS APPUYEZ JAMAIS SUR L'OUTIL.** Vous courez un risque de blessure grave si l'outil bascule ou si vous touchez accidentellement l'outil tranchant.
19. **VÉRIFIEZ S'IL Y A DES PIÈCES ENDOMMAGÉES.** Avant d'utiliser l'outil, tout protecteur ou dispositif endommagé doit être vérifié soigneusement afin de s'assurer qu'il fonctionne adéquatement et peut remplir la fonction pour laquelle il est conçu. Vérifiez si les pièces mobiles sont bien alignées et bien fixées, vérifiez la présence de pièces brisées, vérifiez que l'outil est bien monté et assurez-vous que rien ne peut entraver son bon fonctionnement. Un protecteur ou tout autre dispositif endommagé doit être adéquatement réparé ou remplacé.
20. **SENS D'ALIMENTATION.** Vous devez faire avancer la pièce à l'encontre de la lame ou de l'outil tranchant, non la faire progresser dans le même sens.
21. **NE LAISSEZ JAMAIS SANS SURVEILLANCE UN OUTIL EN MARCHÉ. COUPEZ LE CONTACT.** Attendez que l'outil se soit complètement arrêté avant de le quitter.
22. **PIÈCES DE RECHANGE.** Seules des pièces de rechange identiques aux originales doivent être utilisées lors des réparations.
23. **FICHES POLARISÉES.** Pour réduire les risques de choc électrique, cet appareil est muni d'une fiche polarisée (une des lames est plus large que l'autre). Cette fiche ne peut être insérée

dans une prise polarisée que dans un seul sens. Si la fiche ne s'insère pas à fond dans la prise, insérez-la en sens inverse. Si elle ne s'insère toujours pas à fond, contactez un technicien qualifié pour faire installer une prise appropriée. N'apportez aucune modification à la fiche.

**MISE EN GARDE RELATIVE À LA TENSION :** avant de brancher l'outil sur une source d'alimentation (prise ou autre dispositif), assurez-vous que la tension du circuit correspond à celle qui est spécifiée sur la plaque signalétique de l'outil. L'utilisation d'une source d'alimentation dont la tension est supérieure à celle spécifiée pour l'outil peut entraîner une **GRAVE BLESSURE** et endommager l'outil. En cas de doute, **NE BRANCHEZ PAS L'OUTIL.**

L'utilisation d'une source d'alimentation dont la tension est inférieure à la valeur indiquée sur la plaque signalétique endommagera le moteur.

**UTILISEZ UN CORDON PROLONGATEUR ADÉQUAT.** Assurez-vous que le cordon prolongateur est en bon état. Lors de l'utilisation d'un cordon prolongateur, utilisez sans faute un cordon assez gros pour conduire le courant que l'outil nécessite. Un cordon trop petit provoquera une baisse de tension de secteur, résultant en une perte de puissance et une surchauffe. Le Tableau 1 indique la dimension appropriée de cordon selon sa longueur et selon l'intensité nominale indiquée sur la plaque signalétique. En cas de doute sur un cordon donné, utilisez le cordon suivant (plus gros). Plus le numéro de gabarit indiqué est petit, plus le cordon est gros.

Tableau 1. Gabarit minimum du cordon

Intensité nominale		Volts	Longueur totale du cordon en pieds			
		120 V	25 pi	50 pi	100 pi	150 pi
Plus de	Pas plus de	Calibre américain des fils				
0	6		18	16	16	14
6	10		18	16	14	12
10	12		16	16	14	12
12	16		14	12	Non recommandé	

## RÈGLES DE SÉCURITÉ PARTICULIÈRES

NE vous laissez PAS tromper (au fil d'une utilisation répétée) par un sentiment d'aisance et de familiarité avec l'outil, en négligeant le respect rigoureux des règles de sécurité qui accompagnent la scie circulaire à tronçonner portable. Si vous n'utilisez pas cet outil de façon sûre et adéquate, vous courez un risque de blessure grave.

1. Portez une protection d'oreille lors des travaux de longue durée.
2. Utilisez uniquement des meules dont la vitesse de rotation maximale est au moins égale à la vitesse maximale de fonctionnement à vide (« No Load RPM ») indiquée sur la plaque signalétique de l'outil. Utilisez exclusivement des meules à découper renforcées de fibre de verre.

3. Avant l'utilisation, vérifiez toujours soigneusement l'absence de fissures ou de dommages sur la meule. Remplacez immédiatement toute meule fissurée ou endommagée. Faites tourner l'outil à vide (avec son protecteur) pendant environ 1 minute, en le maintenant à l'écart de toute personne présente. Si la meule est défectueuse, elle se détachera probablement pendant ce test.
4. Fixez fermement la meule.
5. Utilisez exclusivement les flasques spécifiés pour cet outil.
6. Veillez à ne pas endommager l'axe, les flasques (surtout leur surface de pose) ou le boulon, ce qui pourrait entraîner une rupture de la meule.
7. N'utilisez jamais l'outil si les protecteurs ne sont pas bien en place. Avant chaque utilisation, assurez-vous que le protecteur de meule se referme bien. N'utilisez pas l'outil si le protecteur de meule ne se déplace pas librement et ne se referme pas sur la meule instantanément. N'immobilisez ou ne fixez jamais le protecteur de meule en position ouverte.

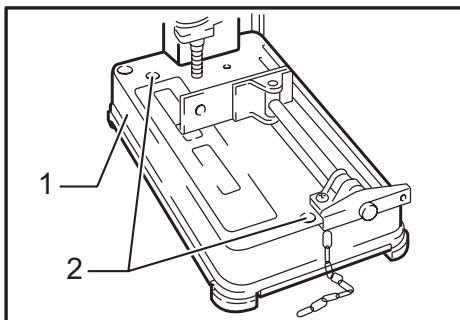
8. Tenez la poignée fermement.
9. Gardez les mains éloignées des pièces en rotation.
10. Assurez-vous que la meule n'entre pas en contact avec la pièce avant de mettre l'outil sous tension.
11. Avant d'utiliser l'outil sur la pièce elle-même, laissez-le tourner un instant. Soyez attentif à toute vibration ou sautellement pouvant indiquer que la meule n'est pas bien installée ou qu'elle est mal équilibrée.
12. Prenez garde aux étincelles pendant l'utilisation. Elles peuvent causer des blessures ou enflammer les matériaux combustibles.
13. Retirez de la zone de travail tout matériau ou déchet pouvant être enflammé par les étincelles. Assurez-vous que personne ne se trouve là où l'outil lance des étincelles. Gardez toujours un extincteur propre et plein à portée de la main.
14. Utilisez exclusivement le tranchant de la meule. N'utilisez jamais sa face latérale.
15. N'essayez pas de verrouiller la gâchette en position de marche.
16. Si la meule s'arrête pendant la coupe, émet un bruit anormal ou se met à vibrer, éteignez immédiatement l'outil.
17. Éteignez l'outil et attendez l'arrêt de la meule avant de déplacer la pièce à travailler ou de modifier les réglages.
18. Ne touchez jamais la pièce juste après la coupe ; elle est alors extrêmement chaude et risquerait de vous brûler.
19. Rangez toujours les meules dans un endroit sec.

## CONSERVEZ CE MODE D'EMPLOI.

**⚠ MISE EN GARDE :** Une MAUVAISE UTILISATION de l'outil ou l'ignorance des consignes de sécurité du présent manuel d'instructions peuvent entraîner une grave blessure.

## INSTALLATION

### Protection contre les coupures



► 1. Base 2. Orifices à boulon

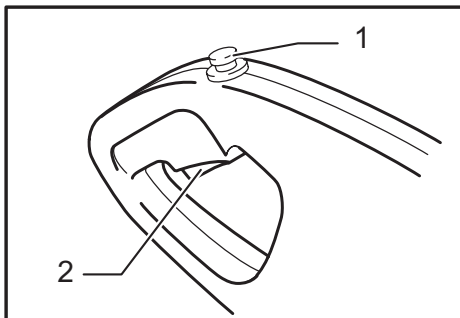
Cet outil doit être fixé à une surface plane et stable au moyen de boulons insérés dans les orifices prévus à cet effet sur la base de l'outil. Cela aidera à prévenir les risques de basculement et de blessure.

## DESCRIPTION DU FONCTIONNEMENT

### ⚠ ATTENTION :

- Assurez-vous toujours que l'outil est hors tension et débranché avant de l'ajuster ou de vérifier son fonctionnement.

### Interrupteur



► 1. Bouton de sécurité 2. Gâchette

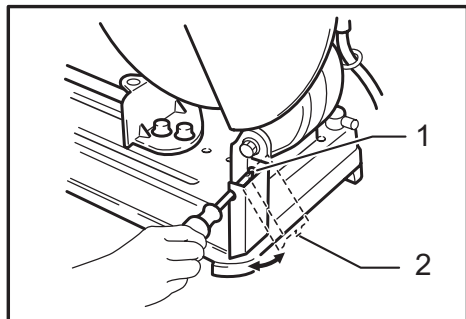
### ⚠ ATTENTION :

- Avant de brancher l'outil, assurez-vous toujours que la gâchette fonctionne correctement et revient en position d'arrêt une fois relâchée.

Un bouton de sécurité est fourni pour prévenir la pression accidentelle sur la gâchette.

Pour mettre l'outil en marche, enfoncez le bouton de sécurité puis appuyez sur la gâchette. Pour l'arrêter, relâchez la gâchette.

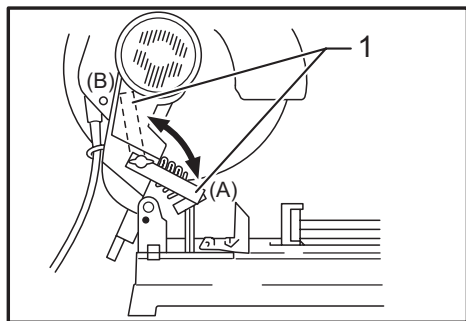
## Pare-étincelles



► 1. Vis 2. Pare-étincelles

Le pare-étincelles est installé en usine avec le bord inférieur en contact avec la base. L'outil projettera beaucoup d'étincelles si vous l'utilisez avec le pare-étincelles dans cette position. Desserrez la vis et ajustez le pare-étincelles sur la position qui permet de réduire le plus possible la quantité d'étincelles projetées.

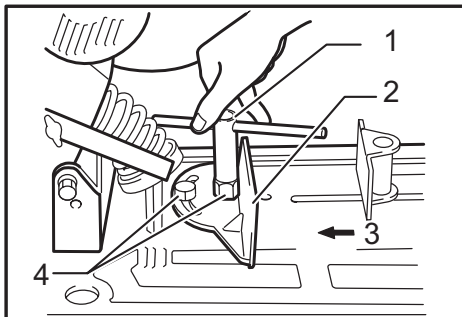
## Limiteur de course



► 1. Plaque de butée

Le limiteur de course a pour but d'empêcher le disque à tronçonner de toucher l'établi ou la table. Quand vous installez un disque neuf, fixez le limiteur de course à la position (A). Quand le disque s'use au point de ne plus couper la section inférieure de la pièce, fixez le limiteur de course à la position (B) de façon à accroître la capacité de coupe avec un disque usé.

## Intervalle entre le talon et la butée orientable



► 1. Clé à douille 2. Plaque de guidage 3. Déplacer 4. Boulons hexagonaux

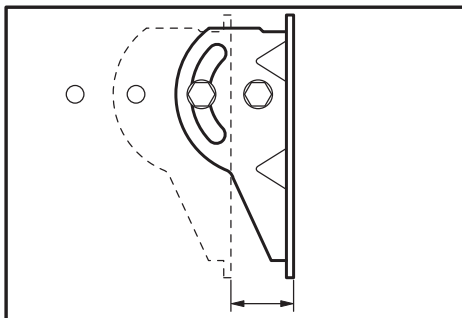
La course initiale du talon de l'étau est de 0 à 170 mm (0 - 6-11/16"). Si votre travail réclame un débattement plus important procédez comme suit.

Retirez les deux boulons hexagonaux de fixation de la butée orientable, puis reculez celle-ci sur sa nouvelle position et refixez-la avec les boulons hexagonaux.

Vous avez le choix entre les courses suivantes:

35 - 205 mm (1-3/8" - 8-1/16")

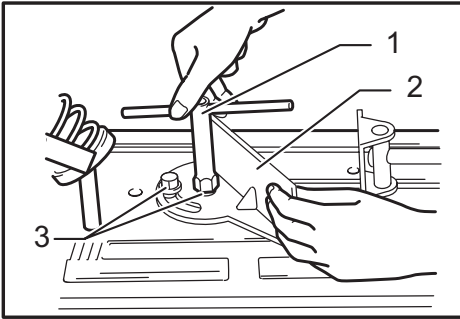
70 - 240 mm (2-3/4" - 9-7/16")



### ATTENTION :

- Ces deux réglages sont destinés à des pièces de dimensions importantes et ne conviennent pas à des pièces de petite taille.

## Réglage de l'angle de coupe



► 1. Clé à douille 2. Plaque de guidage 3. Boulons hexagonaux

Pour régler l'angle de coupe, desserrez les deux boulons hexagonaux de fixation de la butée orientable. Amenez la butée orientable sur l'angle voulu (0° à 45°) et serrez les boulons hexagonaux à fond.

**⚠ ATTENTION :** Ne jamais effectuer de coupes d'onglet lorsque la butée orientable est réglée en position 35 - 205 mm (1-3/8" - 8-1/16") ou 70 - 240 mm (2-3/4" - 9-7/16").

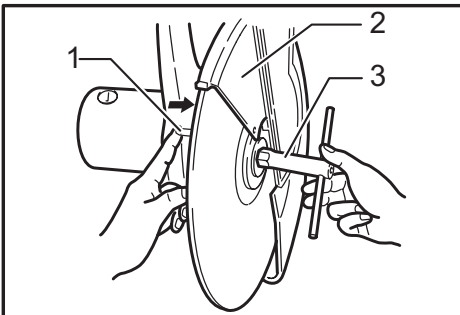
**⚠ ATTENTION :** N'utilisez pas l'outil lorsque le matériau n'est pas fermement fixé avec l'étau en raison de l'angle de coupe.

## ASSEMBLAGE

### ⚠ ATTENTION :

- Avant d'effectuer toute intervention sur l'outil, assurez-vous toujours qu'il est hors tension et débranché.

## Retrait ou pose du disque à tronçonner

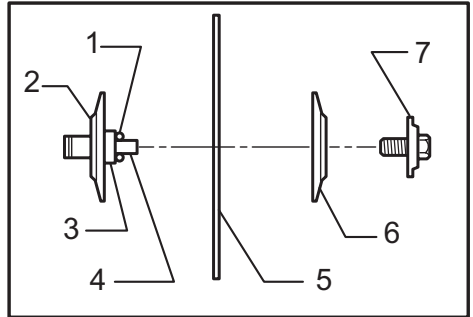


► 1. Verrouillage de l'arbre 2. Carter de sécurité 3. Clé à douille

Pour retirer le disque, soulevez le carter de sécurité.

Appuyez sur le blocage de l'arbre de sorte que le disque ne puisse pas tourner et utilisez la clé à douille pour desserrer le boulon hexagonal en le tournant dans le sens inverse des aiguilles d'une montre. Retirez ensuite le boulon hexagonal, le flasque extérieur et le disque. (Remarque : Ne pas retirer le flasque intérieur, l'anneau et le joint torique.)

Pour installer le disque, reprenez ces opérations en ordre inverse.

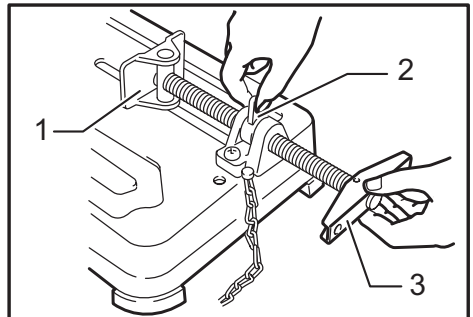


► 1. Joint torique 2. Bague interne 3. Bague 4. Axe 5. Disque à découper 6. Bague externe 7. Boulon hexagonal

### ⚠ ATTENTION :

- Serrez bien le boulon hexagonal à fond. S'il est mal serré, il peut être la cause de graves blessures. Pour obtenir un serrage satisfaisant, serrez-vous de la clé à douille fournie avec l'outil.
- N'utilisez comme flasques intérieur et extérieur que les pièces livrées avec l'outil.
- Toujours rabaisser le carter de sécurité après avoir remplacé le disque.

## Immobilisation de la pièce



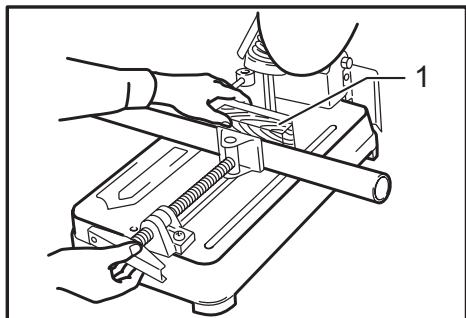
► 1. Plaque de l'étau 2. Écrou de l'étau 3. Poignée de l'étau

Vous pouvez dégager l'étau des filages de l'arbre et le déplacer rapidement vers l'intérieur et l'extérieur en tournant la poignée de l'étau dans le sens inverse des aiguilles d'une montre et en basculant l'écrou de l'étau vers la gauche. Pour serrer la pièce à travailler, poussez sur la poignée de l'étau jusqu'à ce que la plaque de l'étau entre en contact avec la pièce. Basculez l'écrou de l'étau vers la droite puis tournez la poignée de l'étau dans le sens des aiguilles d'une montre pour immobiliser solidement la pièce à travailler.

### ⚠ ATTENTION :

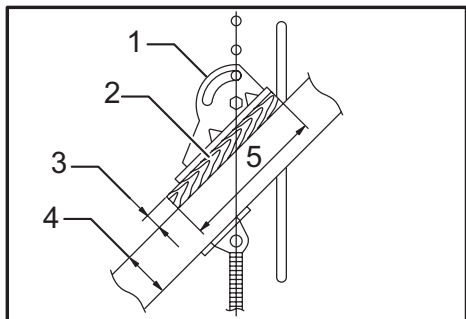
- Lorsque vous immobilisez la pièce, tournez toujours l'écrou de l'étau complètement vers la droite. Sinon, la pièce risque de ne pas être solidement immobilisée. Cela peut causer une situation dangereuse si la pièce à travailler est éjectée ou si le disque se casse.

Lorsque l'usure a déjà notablement diminué le diamètre du disque, vous devez veiller à ce que ce soit toujours la partie de sa périphérie située à l'aplomb de son axe qui serve à la coupe : au besoin, intercalez dans l'étau derrière la pièce un martyr (non inflammable), comme indiqué sur la figure.



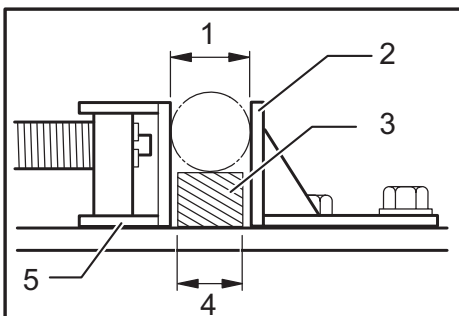
► 1. Cale d'espacement

Lorsque vous coupez en angle des pièces d'une largeur supérieure à 65 mm (2-9/16"), fixez une pièce de bois rectiligne (une entretoise) d'une longueur supérieure à 190 mm (7-1/2") et d'une largeur de 45 mm (1-3/4") sur la butée orientable, telle qu'indiqué sur l'illustration. Fixez cette entretoise en insérant des vis dans les orifices de la butée orientable.



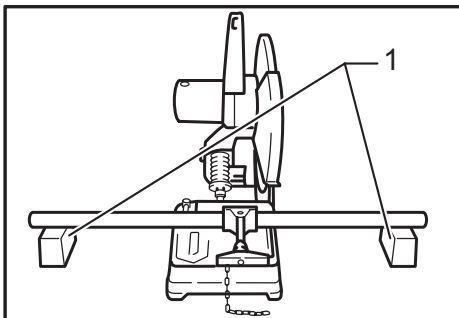
► 1. Plaque de guidage 2. Pièce de bois rectiligne (entretoise) 3. Longueur supérieure à 45 mm (1-3/4") 4. Longueur supérieure à 65 mm (2-9/16") 5. Longueur supérieure à 190 mm (7-1/2")

L'utilisation d'une cale d'espacement légèrement plus étroite que la pièce à travailler, tel qu'indiqué sur l'illustration, permet d'utiliser le disque de manière économique.



► 1. Diamètre de pièce 2. Plaque de guidage 3. Cale d'espacement 4. Largeur de la cale d'espacement 5. Étau

Les longues pièces à travailler doivent être soutenues de chaque côté par des blocs en matériau ininflammable placés au même niveau que le dessus de la base.



► 1. Blocs

## UTILISATION

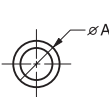
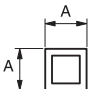
Tenez la poignée fermement. Mettez l'outil sous tension et attendez que le disque ait atteint sa pleine vitesse avant de l'amener doucement en position de coupe. Lorsque le disque arrive au contact de la pièce, pesez progressivement sur la poignée pour effectuer le tronçonnage. Dès que la pièce est complètement tronçonnée, arrêtez l'outil et ATTENDEZ QUE L'OUTIL SOIT ARRIVÉ A UN ARRÊT COMPLET avant de laisser la poignée rejoindre sa position haute.

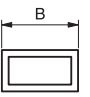
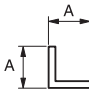
### ⚠ ATTENTION :

- Déterminez la pression sur la poignée et le rendement maximum de tronçonnage en fonction de la quantité d'étincelles produites par le disque. Réglez votre pression sur la poignée de façon à produire le maximum d'étincelles. Ne forcez pas la coupe en appuyant trop fort sur la poignée : vous n'obtiendriez plus qu'un rendement médiocre, avec usure rapide du disque et le risque d'avarier l'outil et le disque et d'abîmer la pièce.

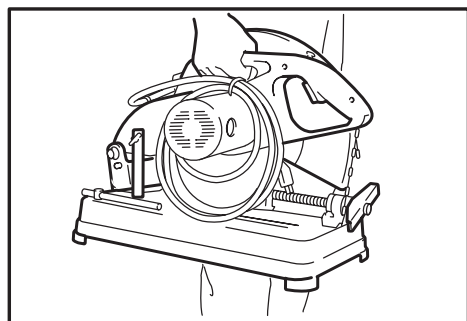
## Capacité de coupe

La capacité de coupe maximale dépend de l'angle d'attaque et de la forme de la pièce. Les cotes ci-dessous correspondent à un disque ayant comme caractéristiques: 355 mm (14")

Forme de la pièce		
Angle d'attaque		
90°	115 mm (4-1/2")	119 mm (4-11/16")
45°	115 mm (4-1/2")	106 mm (4-3/16")

Forme de la pièce	A X B		
Angle d'attaque			
90°	115 mm x 130 mm (4-1/2" x 5-5/8") 102 mm x 194 mm (4" x 7-5/8") 70 mm x 233 mm (2-3/4" x 9-1/8")		137 mm (5-3/8")
45°	115 mm x 103 mm (4-1/2" x 4-1/16")		100 mm (3-15/16")

## Transport de l'outil



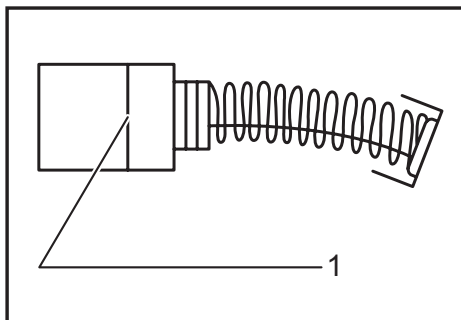
Abaissez le bras articulé jusqu'à pouvoir fixer la chaîne au crochet de la poignée.

## ENTRETIEN

### ⚠ ATTENTION :

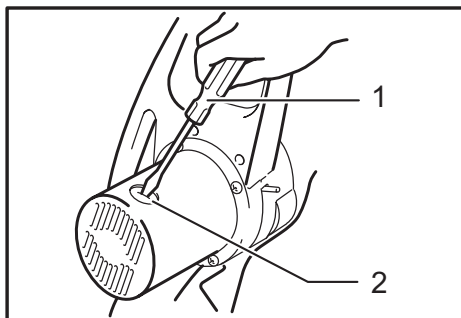
- Assurez-vous toujours que l'outil est hors tension et débranché avant d'y effectuer tout travail d'inspection ou d'entretien.

## Remplacement des charbons



► 1. Trait de limite d'usure

Retirez et vérifiez régulièrement les charbons. Remplacez-les lorsqu'ils sont usés jusqu'au trait de limite d'usure. Maintenez les charbons propres et en état de glisser aisément dans les porte-charbon. Les deux charbons doivent être remplacés en même temps. N'utilisez que des charbons identiques. Utilisez un tournevis pour retirer les bouchons de porte-charbon. Enlevez les charbons usés, insérez-en de nouveaux et revissez solidement les bouchons de porte-charbon.



► 1. Tournevis 2. Bouchon de porte-charbon

Pour maintenir la SÉCURITÉ et la FIABILITÉ du produit, les réparations, tout autre travail d'entretien ou de réglage doivent être effectués dans un centre de service Makita agréé ou un centre de service de l'usine Makita, exclusivement avec des pièces de rechange Makita.

## ACCESSOIRES EN OPTION

### **ATTENTION :**

- Ces accessoires ou pièces complémentaires sont recommandés pour l'utilisation avec l'outil Makita spécifié dans ce mode d'emploi. L'utilisation de tout autre accessoire ou pièce complémentaire peut comporter un risque de blessure. N'utilisez les accessoires ou pièces qu'aux fins auxquelles ils ont été conçus.

Si vous désirez obtenir plus de détails concernant ces accessoires, veuillez contacter le centre de service après-vente Makita le plus près.

- Disques à tronçonner abrasifs
- Clé à douille 17

**NOTE :** Certains éléments de la liste peuvent être inclus avec l'outil comme accessoires standards. Ils peuvent varier suivant les pays.

## GARANTIE LIMITÉE D'UN AN DE MAKITA

### Politique de garantie

Tous les outils Makita sont soigneusement inspectés et mis à l'essai avant de quitter l'usine. Ils sont garantis contre les vices de fabrication et de matériau pour une période d'UN AN suivant la date de l'achat original. Si un problème survient pendant cette période d'un an, retournez l'outil COMPLET, fret payé d'avance, à une usine ou un centre de service après-vente autorisé Makita. S'il ressort de l'inspection que le problème est dû à un vice de fabrication ou de matériau, Makita réparera (ou remplacera, à son gré) l'outil gratuitement. Cette garantie ne s'applique pas dans les cas où :

- des réparations ont été effectuées ou tentées par un tiers;
- des réparations sont nécessaires en raison de l'usure normale;
- l'outil a été malmené, mal utilisé ou non adéquatement entretenu;
- l'outil a subi des modifications.

MAKITA NE SERA EN AUCUN CAS RESPONSABLE DE TOUS DOMMAGES INDIRECTS, ACCESSOIRES OU CONSÉCUTIFS DE LA VENTE OU DE L'UTILISATION DU PRODUIT. CET AVIS DE NON-RESPONSABILITÉ S'APPLIQUE PENDANT ET APRÈS LA PÉRIODE COUVERTE PAR CETTE GARANTIE.

MAKITA DÉCLINE TOUTE RESPONSABILITÉ QUANT À TOUTES GARANTIES IMPLICITES, Y COMPRIS LES GARANTIES DE « QUALITÉ MARCHANDE » OU D'« ADAPTATION À UN USAGE PARTICULIER » APRÈS LA PÉRIODE DE GARANTIE D'UN AN.

Cette garantie vous donne des droits légaux spécifiques, et vous pouvez également avoir d'autres droits qui varient d'une province à l'autre. Certaines provinces n'autorisant pas l'exclusion ou la restriction des dommages accessoires ou consécutifs, il se peut que la restriction ou l'exclusion ci-dessus ne s'applique pas à vous. Certaines provinces n'autorisant pas de restriction quant à la durée des garanties implicites, il se peut que la restriction ci-dessus ne s'applique pas à vous.



## ESPECIFICACIONES

Modelo	2414DB
Especificaciones eléctricas en México	120 V ~ 15 A 50/60 Hz
Diámetro de disco	355 mm (14")
Ángulo de bisel máximo	25,4 mm (1")
Revoluciones por minuto (r.p.m.)	3 800 /min.
Dimensiones (L x A x A)	500 mm x 280 mm x 600 mm (19-3/4" x 11"x 23-5/8")
Peso neto	16,4kg (36,2 lbs)
Clase de seguridad	□/II

- Debido a nuestro programa continuo de investigación y desarrollo, las especificaciones aquí dadas están sujetas a cambios sin previo aviso.
- Las especificaciones pueden variar de país a país.

### Por su propia seguridad lea el Manual de Instrucciones

**Antes de utilizar la herramienta  
Guarde las instrucciones para  
referencia futura**

### PRECAUCIONES DE SEGURIDAD GENERALES

#### (Para todas las herramientas)

1. **CONOZCA SU HERRAMIENTA ELÉCTRICA.** Lea el manual del usuario atentamente. Conozca las aplicaciones y limitaciones de la herramienta, así como también los riesgos potenciales específicos propios de la misma.
2. **NO quite los protectores** y manténgalos en buen estado de funcionamiento.
3. **RETIRE LAS LLAVES DE AJUSTE Y DE APRIETE.** Adquiera el hábito de comprobar y ver que las llaves de ajuste y de apriete estén retiradas de la herramienta antes de ponerla en marcha.
4. **MANTENGA EL ÁREA DE TRABAJO LIMPIA.** Las áreas y bancos de trabajo desordenados y amontonados hacen que los accidentes sean propensos.
5. **NO LAS UTILICE EN AMBIENTES PELIGROSOS.** No utilice las herramientas eléctricas en lugares húmedos o mojados, ni las exponga a la lluvia. Mantenga el área de trabajo bien iluminada. No utilice la herramienta en presencia de líquidos o gases inflamables.
6. **MANTENGA ALEJADOS A LOS NIÑOS.** Todos los visitantes deberán ser mantenidos a una distancia segura del área de trabajo.
7. **MANTENGA EL TALLER A PRUEBA DE NIÑOS** con candados, interruptores maestros, o quitando las llaves de encendido.
8. **NO FORCE LA HERRAMIENTA.** La herramienta realizará la tarea mejor y de forma más segura a la potencia para la que ha sido diseñada.
9. **UTILICE LA HERRAMIENTA APROPIADA.** No force la herramienta ni los accesorios realizando con ellos un trabajo para el que no han sido diseñados.
10. **PÓNGASE INDUMENTARIA APROPIADA.** No se ponga ropa holgada, guantes, corbata, anillos, pulseras, ni otro tipo de alhajas que puedan engancharse en las partes móviles. Se recomienda utilizar calzado antiderrapante. Recójase el cabello o si lo tiene largo o cúbralo para su protección.
11. **UTILICE SIEMPRE GAFAS DE SEGURIDAD.** Utilice también careta contra el polvo si la operación de corte es polvorienta. Las gafas de uso diario para la vista sólo tienen lentes que pueden proteger contra pequeños impactos, NO son gafas de seguridad.
12. **SUJETE LA PIEZA DE TRABAJO.** Utilice mordazas o un tornillo de banco para sujetar la pieza de trabajo cuando resulte práctico. Es más seguro que utilizar la mano y además dispondrá de ambas manos para manejar la herramienta.
13. **NO UTILICE LA HERRAMIENTA DONDE NO ALCANCE.** Mantenga los pies sobre suelo firme y el equilibrio en todo momento.
14. **DÉ MANTENIMIENTO A SUS HERRAMIENTAS.** Mantenga las herramientas afiladas y limpias para obtener de ellas un mejor y más seguro rendimiento. Siga las instrucciones para lubricarlas y cambiar los accesorios.
15. **DESCONECTE LAS HERRAMIENTAS** antes de darles mantenimiento; cuando cambie accesorios tales como discos, brocas, cuchillas, y otros por el estilo.
16. **REDUZCA EL RIESGO DE PUESTAS EN MARCHA INVOLUNTARIAS.** Asegúrese de que el interruptor esté en posición desactivada antes de conectar la herramienta.
17. **UTILICE ACCESORIOS RECOMENDADOS.** Consulte el manual del propietario para ver los accesorios recomendados. La utilización de accesorios no apropiados podría ocasionar un riesgo de heridas a personas.


18. **NO SE PARE NUNCA ENCIMA DE LA HERRAMIENTA.** Si se tropieza y enciende la herramienta, o si se toca sin querer el disco de corte podrá ocasionar graves heridas.
19. **COMPRUEBE LAS PARTES DAÑADAS.** Si un protector u otra parte están dañados, antes de seguir utilizando la herramienta deberá verificarlos cuidadosamente para cerciorarse de que van a funcionar debidamente y realizar la función para la que han sido previstos - compruebe la alineación de las partes móviles, la sujeción de las partes móviles, si hay partes rotas, el montaje y cualquier otra condición que pueda afectar su operación. Un protector u otra parte que esté dañada deberá ser reparada o debidamente cambiada. Si el cordón de alimentación es dañado, éste deberá ser reemplazado por un cordón especial o ensamble disponible por parte del fabricante o su centro de servicio.
20. **DIRECCIÓN DE AVANCE.** Avance la pieza de trabajo hacia el disco o cuchilla solamente a contra dirección del giro de los mismos.
21. **NO DESCUIDE NI DEJE NUNCA LA HERRAMIENTA MIENTRAS ESTÉ EN MARCHA. DESCONECTE LA ALIMENTACIÓN.** No deje la herramienta hasta que haya detenido completamente.
22. **PIEZAS DE REPUESTO.** Cuando se dé el servicio a la herramienta (mantenimiento), utilice solamente piezas de repuesto idénticas.
23. **CLAVIJAS POLARIZADAS.** Para reducir el riesgo de descargas eléctricas, este equipo tiene una clavija polarizada (un borne es más

ancho que el otro). Esta clavija encajará en una toma de corriente polarizada en un sentido solamente. Si la clavija no encaja totalmente en la toma de corriente, invierta la clavija. Si aún así no encaja, póngase en contacto con un electricista cualificado para que le instale la toma de corriente apropiada. No modifique la clavija de ninguna forma.

**ADVERTENCIA SOBRE EL VOLTAJE:** Antes de conectar la herramienta a una toma de corriente (receptáculo, fuente de alimentación, etc.), asegúrese de que la tensión suministrada es igual a la especificada en la placa de características de la herramienta. Una toma de corriente con un voltaje mayor que el especificado para la herramienta podrá resultar en HERIDAS GRAVES al usuario -así como también daños a la herramienta. Si no está seguro, **NO CONECTE LA HERRAMIENTA.** La utilización de una toma de corriente con un voltaje menor al nominal indicado en la placa de características es dañino para el motor.

**UTILICE CABLES DE EXTENSIÓN APROPIADOS.** Asegúrese de que su cable de extensión esté en buenas condiciones. Cuando utilice un cable de extensión, asegúrese de utilizar uno del calibre suficiente para conducir la corriente que demande el producto. Un cable de calibre inferior ocasionará una caída en la tensión de línea que resultará en una pérdida de potencia y sobrecalentamiento. La Tabla 1 muestra el tamaño correcto a utilizar dependiendo de la longitud del cable y el amperaje nominal indicado en la placa de características. Si no está seguro, utilice el siguiente calibre más potente. Cuanto menor sea el número de calibre, más potente será el cable.

Tabla 1. Calibre mínimo para el cable

Amperaje nominal		Volts	Longitud total del cable en metros			
		120 V 	7,6 m (25 ft)	15,2 m (50 ft)	30,4 m (100 ft)	45,7 m (150 ft)
Más de	No más de	Calibre del cable (AWG)				
0 A	6 A		18	16	16	14
6 A	10 A		18	16	14	12
10 A	12 A		16	16	14	12
12 A	16 A		14	12	No se recomienda	

## NORMAS ESPECÍFICAS DE SEGURIDAD

### Advertencias y precauciones

Este aparato no se destina para utilizarse para personas (incluyendo niños) cuyas capacidades físicas, sensoriales o mentales sean diferentes o estén reducidas o carezcan de experiencia o de conocimiento. Los niños deben supervisarse para asegurar que ellos no empleen los aparatos como juguete. NO deje que la comodidad o familiaridad con el producto (a base de utilizarlo repetidamente) sustituya la estricta observancia de las normas de seguridad para el uso de la cortadora portátil. Si utiliza esta herramienta de forma no segura o incorrecta, podrá sufrir graves heridas personales.

1. Póngase protección para los oídos durante los periodos de operación prolongados.

2. Utilice sólo discos que posean la máxima velocidad operativa, como mínimo marcados con el rótulo del fabricante "Sin carga RPM". Sólo utilice discos de corte reforzados con fibra de vidrio.
3. Antes de poner la herramienta en funcionamiento, asegúrese de que el disco no esté quebrado o dañado. Reemplace inmediatamente el disco cuando éste se encuentre roto o dañado. Haga funcionar la herramienta (con protector) sin carga durante aproximadamente un minuto, sosteniendo la herramienta lejos de las demás personas. Si el disco presenta fallas, es posible que se separe durante esta prueba.
4. Asegure la rueda del disco cuidadosamente.
5. Utilice solamente las bridas especificadas para esta herramienta.

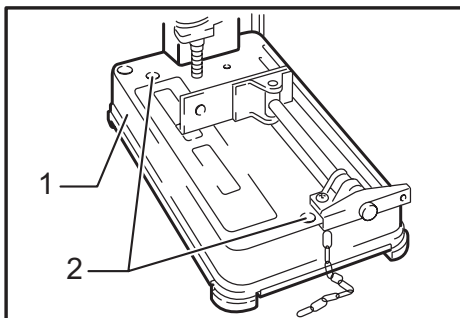
6. Tenga cuidado de no dañar el eje, la brida (especialmente la superficie de instalación) o el perno. Si se dañan estas partes se podría romper el disco.
7. No haga funcionar la herramienta si las protecciones no están en su lugar. Asegúrese de que la protección del disco se cierre correctamente antes de cada uso. No utilice la herramienta si la protección del disco no se mueve libremente o no se cierra de manera instantánea. Nunca fije o trabe la protección del disco para ubicarla en la posición abierta.
8. Sostenga firmemente la empuñadura.
9. Mantenga las manos alejadas de las piezas giratorias.
10. Asegúrese de que el disco no esté haciendo contacto con la pieza de trabajo antes de activar el interruptor.
11. Antes de utilizar la herramienta en una pieza de trabajo definitiva, déjala funcionar durante un rato. Observe para ver si hay vibración o bamboleo que pueda indicar una incorrecta instalación o un disco mal equilibrado.
12. Tenga cuidado con las chispas que se desprenden mientras opera la herramienta. Estas chispas pueden ocasionarle heridas o encender materiales combustibles.
13. Elimine del área de trabajo los restos de material que pudieran encenderse al entrar en contacto con las chispas. Asegúrese de que no haya nadie en el área a quien puedan alcanzar las chispas. Tenga cerca un extintor cargado y en buenas condiciones.
14. Sólo utilice el borde cortante del disco. Nunca utilice la superficie lateral.
15. No intente sujetar el gatillo interruptor en la posición de ENCENDIDO.
16. Si el disco se detiene mientras está operando, o si hace un ruido extraño o comienza a vibrar, apague la herramienta de inmediato.
17. Apague la herramienta y espere a que el disco se detenga antes de mover la pieza o cambiar la selección de controles.
18. No toque la pieza de trabajo inmediatamente después de operar la herramienta, puesto que puede estar extremadamente caliente y quemarle la piel.
19. Almacene los discos sólo en un lugar seco.

## GUARDE ESTAS INSTRUCCIONES.

**⚠ADVERTENCIA:** El uso incorrecto o el no seguir las normas de seguridad que se declaran en este instructivo podría resultar en lesiones personales graves.

## INSTALACIÓN

### Instalación segura de la cortadora



► 1. Base 2. Agujeros para pernos

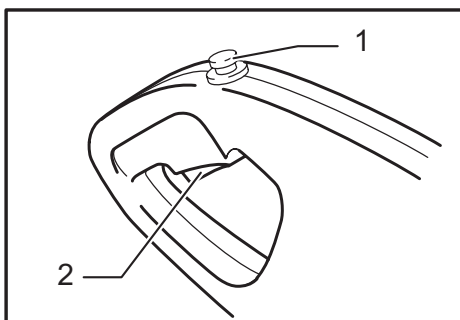
Esta herramienta debe ajustarse con dos pernos a una superficie pareja y estable, utilizando los agujeros para pernos que se encuentran en la base. Esto evitará que la herramienta se incline y pueda ocasionar heridas a quien la maneje.

## DESCRIPCIÓN DEL FUNCIONAMIENTO

### ⚠PRECAUCIÓN:

- Asegúrese siempre de que la herramienta esté apagada y desconectada antes de ajustar o comprobar cualquier función en la misma.

### Accionamiento del interruptor



► 1. Botón lock-off (bloqueo desactivado) 2. Gatillo interruptor

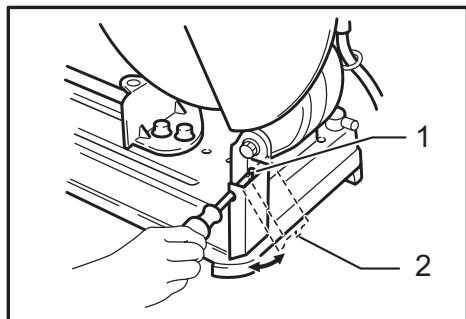
### ⚠PRECAUCIÓN:

- Antes de conectar la herramienta, compruebe siempre que el gatillo interruptor se acciona debidamente y que vuelve a la posición "OFF" (apagado) cuando lo suelta.

La herramienta posee un botón de desbloqueo a fin de evitar que el gatillo interruptor se accione accidentalmente.

Para encender la herramienta, pulse este botón y accione el gatillo. Para detener la herramienta, suelte el gatillo interruptor.

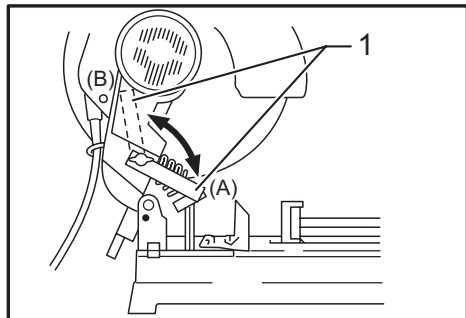
### Protección contra chispas



► 1. Tornillo 2. Protección contra chispas

El protector contra chispas viene instalado de fábrica, y su borde inferior hace contacto con la base. Si opera la herramienta en esta posición se desprenderán abundantes chispas. Afloje el tornillo y ajuste la protección hasta un nivel en que se desprenda la menor cantidad posible de chispas.

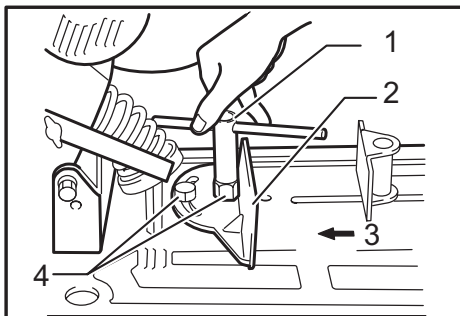
### Placa de tope



► 1. Placa de tope

La placa de tope evita que el disco de corte haga contacto con el banco de trabajo o con el piso. Cuando instale un disco nuevo, coloque la placa de retención en la posición (A). Cuando el disco se desgaste hasta un punto en que ya no corte la porción inferior de la pieza, coloque la placa de retención en la posición (B) para permitir que aumente la capacidad de corte del disco desgastado.

### Intervalo entre la prensa y la placa guía



► 1. Llave de cubo 2. Placa guía 3. Desplazamiento 4. Tornillos hexagonales

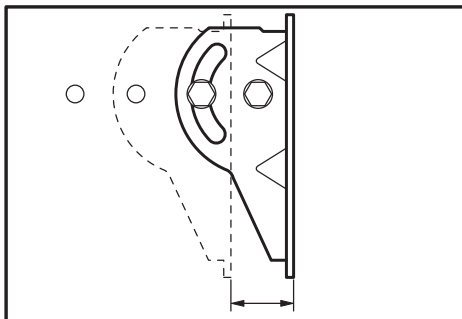
El espacio o intervalo original entre la prensa y la placa guía es de 0 - 170 mm (0 - 6-11/16"). Si la tarea que está realizando requiere de un espacio o intervalo mayor, haga lo siguiente para cambiar las dimensiones de dicho espacio o intervalo.

Quite los dos pernos hexagonales que aseguran la placa guía. Desplace la placa guía tal como se muestra en la figura y asegúrela con los pernos hexagonales.

Se pueden obtener los siguientes intervalos:

35 - 205 mm (1-3/8" - 8-1/16")

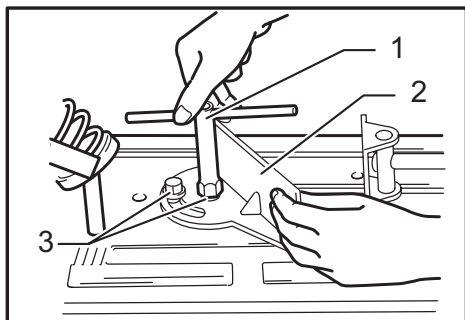
70 - 240 mm (2-3/4" - 9-7/16")



### PRECAUCIÓN:

- Recuerde que las piezas angostas no se pueden asegurar adecuadamente cuando se utilizan los dos intervalos más anchos.

## Ajuste del ángulo de corte deseado



- 1. Llave de cubo 2. Placa guía 3. Tornillos hexagonales

Para cambiar el ángulo de corte, afloje los dos pernos hexagonales que aseguran la placa guía. Desplace la placa guía hasta el ángulo deseado ( $0^{\circ}$  -  $45^{\circ}$ ) y ajuste firmemente los pernos hexagonales.

**⚠PRECAUCIÓN:** Nunca realice cortes a inglete cuando la placa guía esté en las posiciones 35 - 205 mm (1-3/8" - 8-1/16") ó 70 - 240 mm (2-3/4" - 9-7/16").

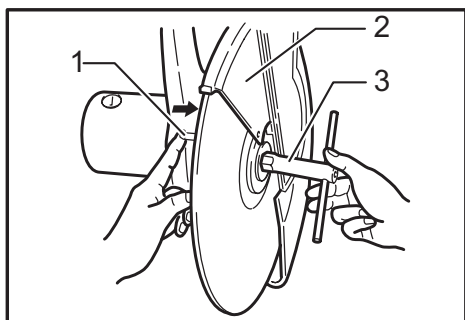
**⚠PRECAUCIÓN:** No opere la herramienta cuando el material no esté firmemente asegurado con el tornillo de banco debido al ángulo de corte.

## ENSAMBLE

### ⚠PRECAUCIÓN:

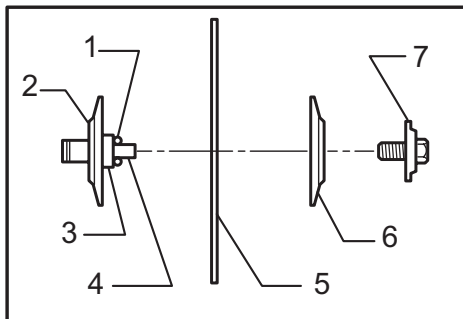
- Asegúrese siempre de que la herramienta esté apagada y desconectada antes de realizar cualquier trabajo en la misma.

## Remoción o instalación de la rueda cortadora



- 1. Bloqueo del eje 2. Protector de seguridad 3. Llave de cubo

Para quitar la rueda, levante la protección de seguridad. Presione la traba del eje para que la rueda no gire, y utilice la llave tubo para aflojar el perno hexagonal moviéndolo en el sentido contrario a las agujas del reloj. Luego quite el perno hexagonal, la pestaña exterior y la rueda. (Nota: No quite la pestaña interior, la arandela ni el O-ring.) Para instalar el disco, siga este mismo procedimiento a la inversa.

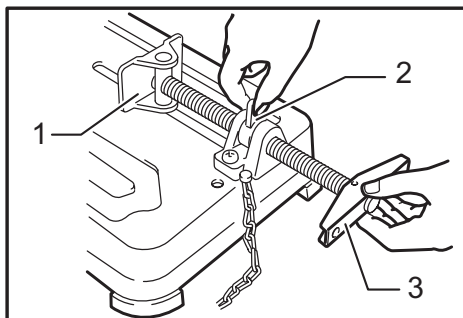


- 1. Anillo-O 2. Brida interior 3. Anillo 4. Eje 5. Disco de corte 6. Brida exterior 7. Tornillo hexagonal

### ⚠PRECAUCIÓN:

- Asegúrese de ajustar firmemente el perno hexagonal. Un ajuste insuficiente del perno hexagonal puede ocasionar heridas graves. Utilice la llave de cubo provista a fin de asegurar un ajuste adecuado.
- Siempre utilice sólo las pestañas internas y externas provistas junto con esta herramienta.
- Siempre baje la protección de seguridad luego de reemplazar la rueda.

## Aseguramiento de la pieza



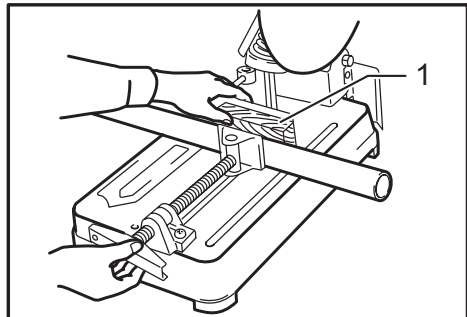
- 1. Placa de la mordaza 2. Tuerca de la mordaza 3. Empuñadura de la prensa

Girando la empuñadura de prensa en el sentido contrario a las agujas del reloj y luego volver la tuerca de la prensa hacia la izquierda, ésta se libera de las roscas del eje y se puede mover rápidamente hacia adentro y hacia afuera. Para sujetar la pieza, empuje la empuñadura hasta que la placa de la prensa haga contacto con dicha pieza. Vuelva la tuerca de la prensa hacia la derecha y luego gire la empuñadura en el sentido de las agujas del reloj para que la pieza quede sujeta con firmeza.

### **PRECAUCIÓN:**

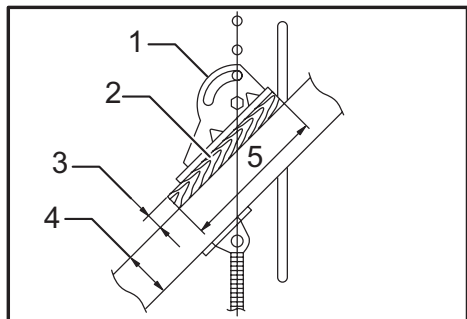
- Al asegurar la pieza, siempre posicione la arandela de la prensa completamente hacia la derecha. Si no lo hace de este modo, la pieza puede quedar mal ajustada. Esto podría ocasionar que la pieza saliera despedida o que se rompiera la rueda, lo que podría ser peligroso.

Cuando la rueda cortadora se haya desgastado considerablemente, coloque detrás de la pieza un bloque espaciador hecho de un material resistente y no inflamable, tal como se muestra en la figura. Puede aprovechar la rueda desgastada en forma más eficaz utilizando el punto medio de la periferia de la rueda para cortar la pieza.



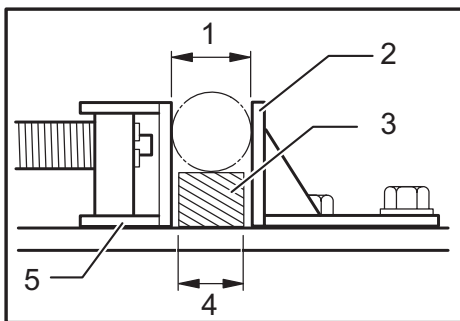
► 1. Bloque espaciador

Cuando corte piezas de más de 65 mm (2-9/16") de ancho en un ángulo, coloque en la placa guía una pieza de madera recta (espaciador) de más de 190 mm (7-1/2") de largo x 45 mm (1-3/4") de ancho, tal como se muestra en la figura. Sujete este espaciador insertando tornillos en los agujeros de la placa guía.



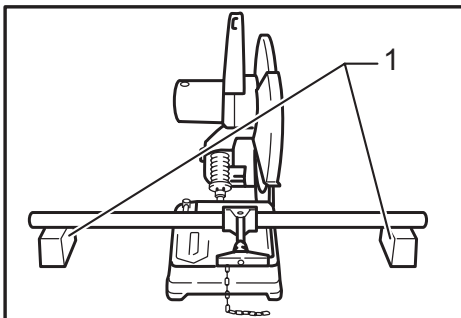
► 1. Placa guía 2. Pieza de madera recta (Espaciador) 3. Más de 45 mm (1-3/4") de largo 4. Más de 65 mm (2-9/16") de largo 5. Más de 190 mm (7-1/2") de largo

Aunque coloque un bloque espaciador cuyo ancho sea ligeramente menor que el de la pieza, tal como se muestra en la figura, también podrá utilizar la rueda de manera eficiente.



► 1. Diámetro de la pieza 2. Placa guía 3. Bloque espaciador 4. Ancho del bloque espaciador 5. Mordaza

Las piezas largas deben estar sujetadas de ambos lados por bloques de material no inflamable, de manera tal que estén nivelados con la parte superior de la base.



► 1. Bloques

## **OPERACIÓN**

Sostenga firmemente la empuñadura. Encienda la herramienta y espere a que alcance la velocidad máxima antes de bajarla suavemente hasta la pieza para realizar el corte. Cuando la rueda se ponga en contacto con la pieza, haga presión gradualmente sobre la empuñadura a fin de realizar el corte. Cuando haya terminado el corte, apague la herramienta y ESPERE HASTA QUE LA RUEDA SE HAYA DETENIDO POR COMPLETO antes de volver a subir totalmente la empuñadura.

### **PRECAUCIÓN:**

- La presión adecuada sobre la empuñadura durante la operación y la máxima eficacia del corte se pueden determinar por la cantidad de chispas producidas. Deberá regular la presión sobre la empuñadura a fin de producir la máxima cantidad de chispas. No fuerce el corte aplicando excesiva presión sobre la empuñadura. Si lo hace, podría disminuir la eficacia del corte y el desgaste prematuro de la rueda, así como ocasionar posibles daños a la herramienta, a la rueda cortadora o a la pieza.

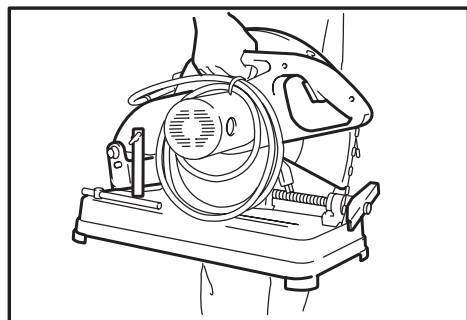
## Capacidad de corte

La capacidad máxima de corte varía según el ángulo de corte y la forma de la pieza. Diámetro de disco aplicable: 355 mm (14")

Forma de la pieza de trabajo		
Ángulo de corte		
90°	115 mm (4-1/2")	119 mm (4-11/16")
45°	115 mm (4-1/2")	106 mm (4-3/16")

Forma de la pieza de trabajo		
Ángulo de corte		
90°	115 mm x 130 mm (4-1/2" x 5-5/8") 102 mm x 194 mm (4" x 7-5/8") 70 mm x 233 mm (2-3/4" x 9-1/8")	137 mm (5-3/8")
45°	115 mm x 103 mm (4-1/2" x 4-1/16")	100 mm (3-15/16")

## Transporte de la herramienta



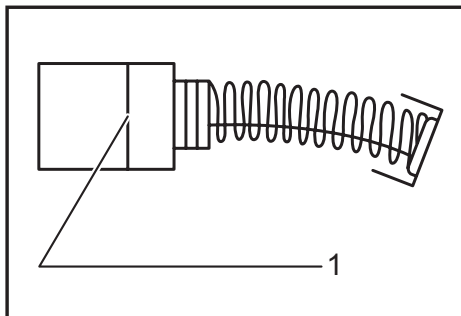
Doble la cabeza de la herramienta hasta una posición en la que pueda colocar la cadena en el gancho de la empuñadura.

## MANTENIMIENTO

### ⚠ PRECAUCIÓN:

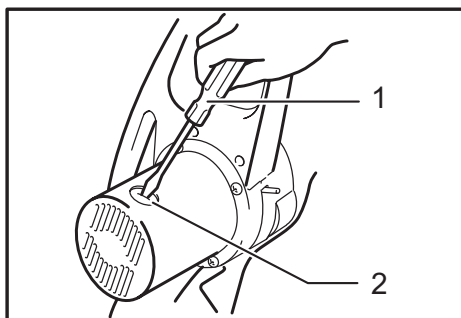
- Asegúrese siempre que la herramienta esté apagada y desconectada antes de intentar realizar una inspección o mantenimiento.

## Reemplazamiento de las escobillas de carbón



► 1. Marca límite

Extraiga e inspeccione de forma periódica las escobillas de carbón. Sustitúyalas cuando se hayan gastado hasta la marca límite. Mantenga las escobillas de carbón limpias de forma que entren libremente en los portaescobillas. Ambas escobillas de carbón deberán ser sustituidas al mismo tiempo. Utilice únicamente escobillas de carbón originales e idénticas. Utilice un destornillador para quitar Tapa del carbón. Extraiga las escobillas gastadas, inserte las nuevas y vuelva a colocar las tapas.



► 1. Destornillador 2. Tapa del carbón

Para mantener la SEGURIDAD y FIABILIDAD del producto, las reparaciones, y cualquier otra tarea de mantenimiento o ajuste deberán ser realizadas en Centros de Servicio Autorizados por Makita, empleando siempre repuestos Makita.

## ACCESORIOS OPCIONALES

### **⚠️ PRECAUCIÓN:**

- Estos accesorios o aditamentos (incluidos o no) están recomendados para utilizar con su herramienta Makita especificada en este manual. El empleo de cualesquiera otros accesorios o acoplamientos conllevará un riesgo de sufrir heridas personales. Utilice los accesorios o acoplamientos solamente para su fin establecido.

Si necesita cualquier ayuda para más detalles en relación con estos accesorios, pregunte a su centro de servicio Makita local.

- Discos de corte abrasivo
- Llave tubo 17

**NOTA:** Algunos de los artículos en la lista pueden incluirse en el paquete de la herramienta como accesorios estándar. Éstos pueden variar de país a país.

## GARANTÍA LIMITADA DE UN AÑO DE MAKITA

### Ésta Garantía no aplica para México Política de garantía

Cada herramienta Makita es inspeccionada y probada exhaustivamente antes de salir de la fábrica. Se garantiza que está libre de defectos de mano de obra y materiales por el periodo de UN AÑO a partir de la fecha original de compra. Si durante este período de un año se desarrollara algún problema, devuelva la herramienta COMPLETA, con el envío prepagado, a un centro de servicio autorizado o de fábrica Makita. Si la inspección muestra que el problema ha sido a causa de un defecto de mano de obra o material, Makita hará la reparación (o a su discreción, el reemplazo) sin ningún cargo. Esta garantía no aplica cuando:

- las reparaciones se hayan hecho o intentado hacer por otros;
- se requieran reparaciones debido al desgaste normal;
- la herramienta haya sido maltratada, recibido un mal uso o haya recibido un mantenimiento inapropiado;
- se hayan hecho modificaciones a la herramienta.

EN NINGÚN CASO MAKITA SE HARÁ RESPONSABLE DE NINGÚN DAÑO INDIRECTO, INCIDENTAL, O DERIVADO DE LA VENTA O USO DEL PRODUCTO. ESTE DESCARGO DE RESPONSABILIDAD APLICA DURANTE Y DESPUÉS DEL PLAZO DE ESTA GARANTÍA.

MAKITA RENUNCIA A LA RESPONSABILIDAD POR CUALQUIER GARANTÍA IMPLÍCITA, INCLUYENDO GARANTÍAS DE "COMERCIABILIDAD" Y "ADECUACIÓN PARA UN PROPÓSITO ESPECÍFICO", DESPUÉS DEL PLAZO DE UN AÑO DE ESTA GARANTÍA.

Esta garantía le concede derechos legales específicos y usted podrá tener también otros derechos que varían de un estado a otro. Algunos estados no permiten la exclusión o limitación de daños incidentales o consecuentes, por lo que la limitación o exclusión arriba mencionada podría no aplicar para usted. Algunos estados no permiten la limitación sobre la duración de una garantía implícita, por lo que la limitación arriba mencionada podría no aplicar para usted.









< USA only >

# WARNING

Some dust created by power sanding, sawing, grinding, drilling, and other construction activities contains chemicals known to the State of California to cause cancer, birth defects or other reproductive harm. Some examples of these chemicals are:

- lead from lead-based paints,
- crystalline silica from bricks and cement and other masonry products, and
- arsenic and chromium from chemically-treated lumber.

Your risk from these exposures varies, depending on how often you do this type of work. To reduce your exposure to these chemicals: work in a well ventilated area, and work with approved safety equipment, such as those dust masks that are specially designed to filter out microscopic particles.

< Sólo en los Estados Unidos >

# ADVERTENCIA

Algunos polvos creados por el lijado, aserrado, esmerilado, taladrado y otras actividades de la construcción contienen sustancias químicas reconocidas por el Estado de California como causantes de cáncer, defectos de nacimiento y otros peligros de reproducción. Algunos ejemplos de estos productos químicos son:

- plomo de pinturas a base de plomo,
- sílice cristalino de ladrillos y cemento y otros productos de albañilería, y
- arsénico y cromo de maderas tratadas químicamente.

El riesgo al que se expone varía, dependiendo de la frecuencia con la que realice este tipo de trabajo. Para reducir la exposición a estos productos químicos: trabaje en un área bien ventilada y póngase el equipo de seguridad indicado, tal como las máscaras contra polvo que están especialmente diseñadas para filtrar partículas microscópicas.

**Makita Corporation**

3-11-8, Sumiyoshi-cho,  
Anjo, Aichi 446-8502 Japan

[www.makita.com](http://www.makita.com)

884200A945  
EN, FRCA, ESMX  
20160610